

DOT. surfaces



Manufactured and distributed by DOT Surfaces, a licensee of the Corian® Design trademark. DOT Surfaces assumes liability for the manufacture of this product.
For questions or concerns contact: info@dotsurfaces.com | C/ Moroder 3 - 46113 Moncada (Valencia) - Spain - Quality Department (+34 961 860 930).
CORIAN® Design word mark and the CORIAN® Design logo are trademarks of affiliates of DuPont de Nemours, Inc. used under license by DOT Surfaces.

**DOT surfaces®,
the benchmark
in solid surface
transformation.**

After more than 20 years of experience in the engineering and manufacturing of Corian® to the highest quality standards, we began the process of industrializing our processes with the aim of providing a solution to our global clients' project needs, in 2019. Being a holding company has enabled us to access more market sectors without losing control of the entire life cycle of our products.

With the incorporation of a modified acrylic material, our production capacity and a proactive team committed to innovation, we reached an agreement to work under the Corian® Design license to position ourselves as the benchmark in the transformation of solid surfaces.



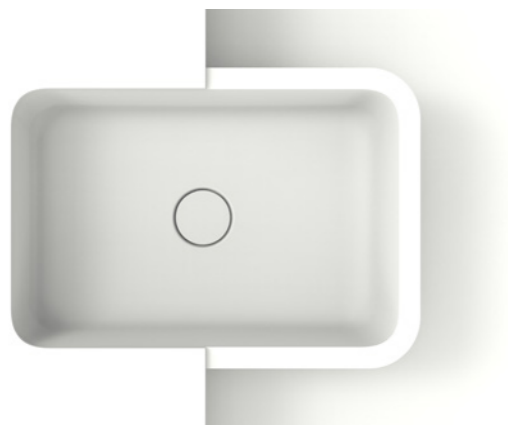
Development of
technological
surfaces.

TOGO

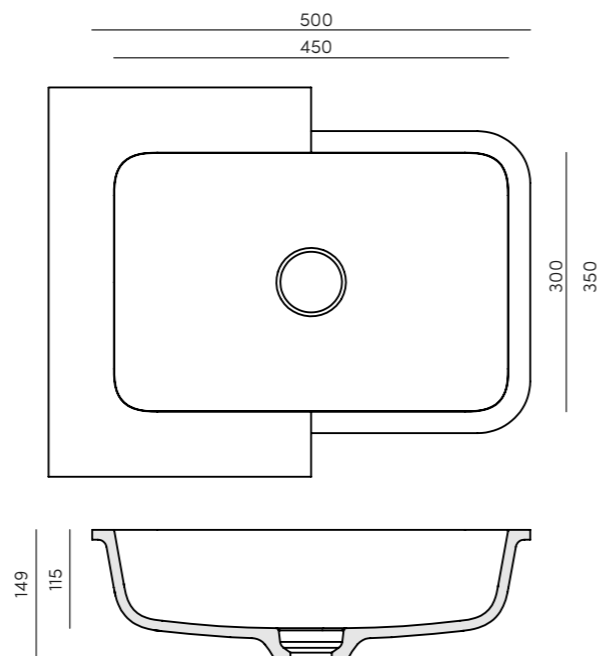
INTEGRATED COLLECTION

TOGO INT 1300

Finishes:
MOON WHITE 



Valve not included



ext. - 500x350x149 mm
int. - 450x300x115 mm

TOGO INT 1310


Finishes:
MOON WHITE 

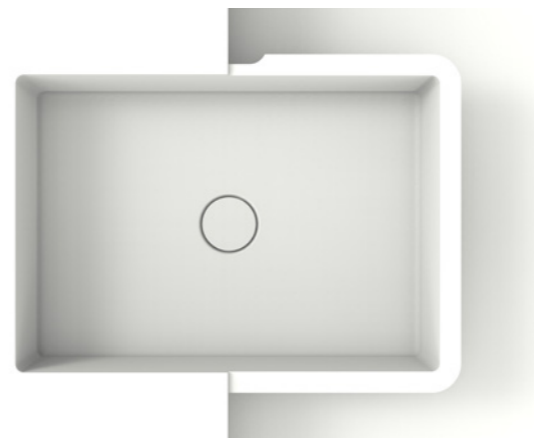


Valve not included

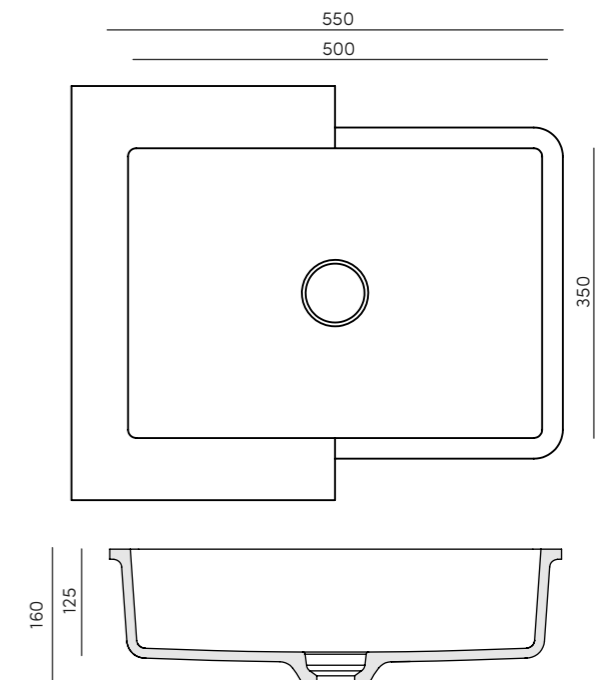
ext. - 574x344x148 mm
int. - 550x320x110 mm

TOGO INT 1230

Finishes:
MOON WHITE 



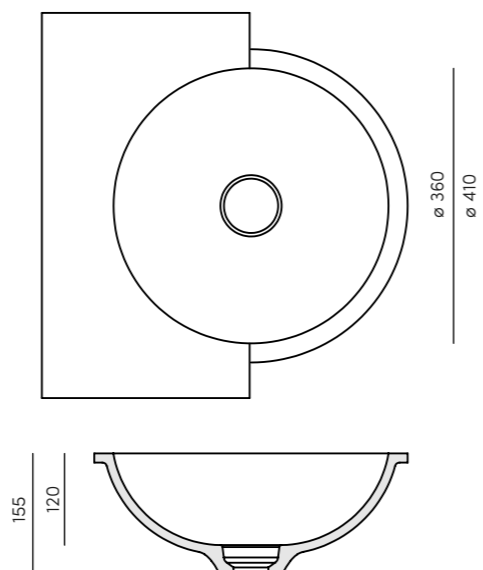
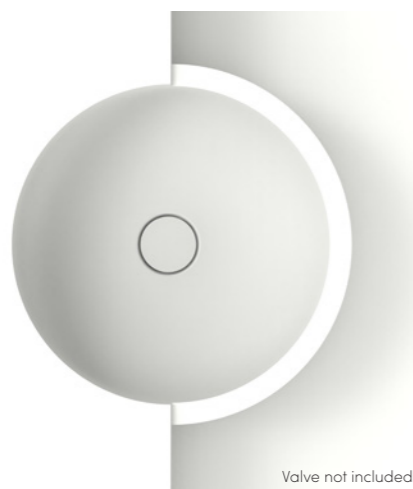
Valve not included



ext. - 550x400x160 mm
int. - 500x352x125 mm


TOGO INT 1330

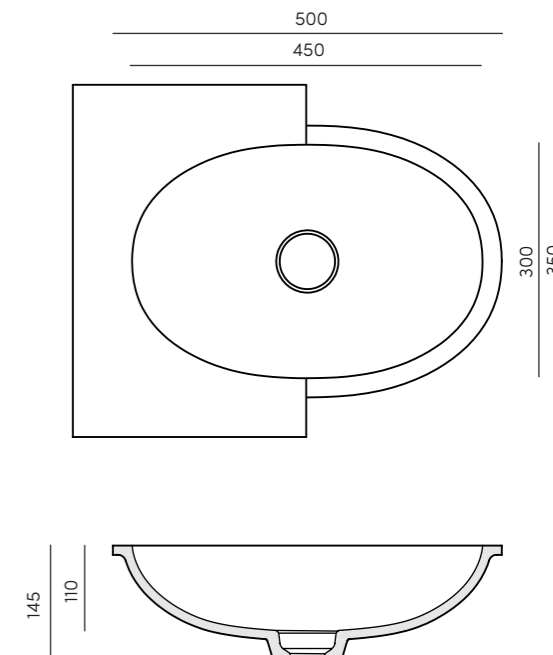
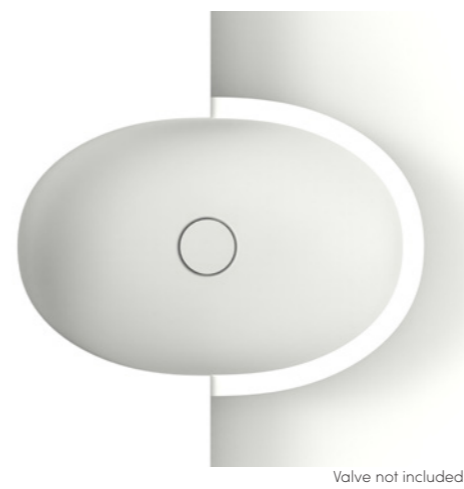
Finishes:
MOON WHITE 



ext. - Ø410x155 mm
int. - Ø360x120 mm

TOGO INT 1340

Finishes:
MOON WHITE 



ext. - Ø374x148 mm
int. - Ø350x110 mm



www.dotsurfaces.com
info@dotsurfaces.com
+34 961 860 930

C/ Moroder 3 - Pol. 3
46113 Moncada
Valencia - SPAIN

