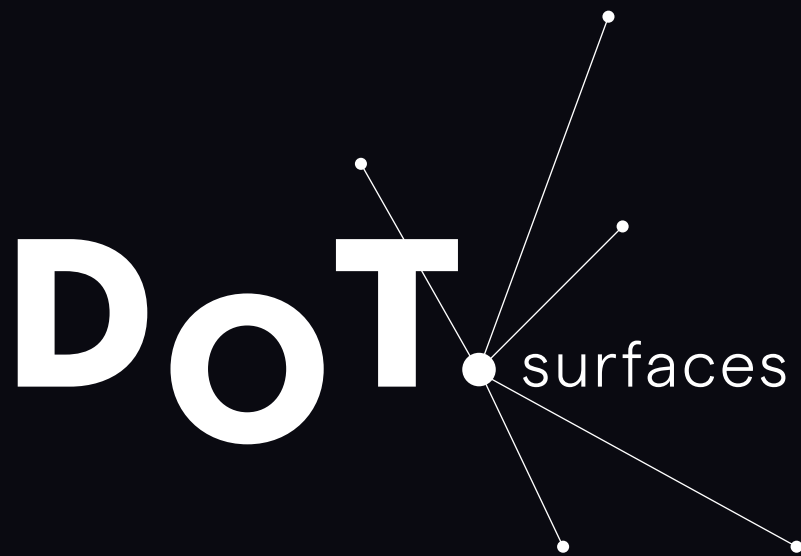


DOT surfaces

The logo features the word "DOT" in large, bold, white, sans-serif capital letters. To the right of "DOT" is a white dot, which is the center of a network of five thin white lines radiating outwards to five smaller white dots. The word "surfaces" is written in a smaller, white, lowercase, sans-serif font to the right of the central dot.


CORIAN®
DESIGN


Development of
technological
surfaces.

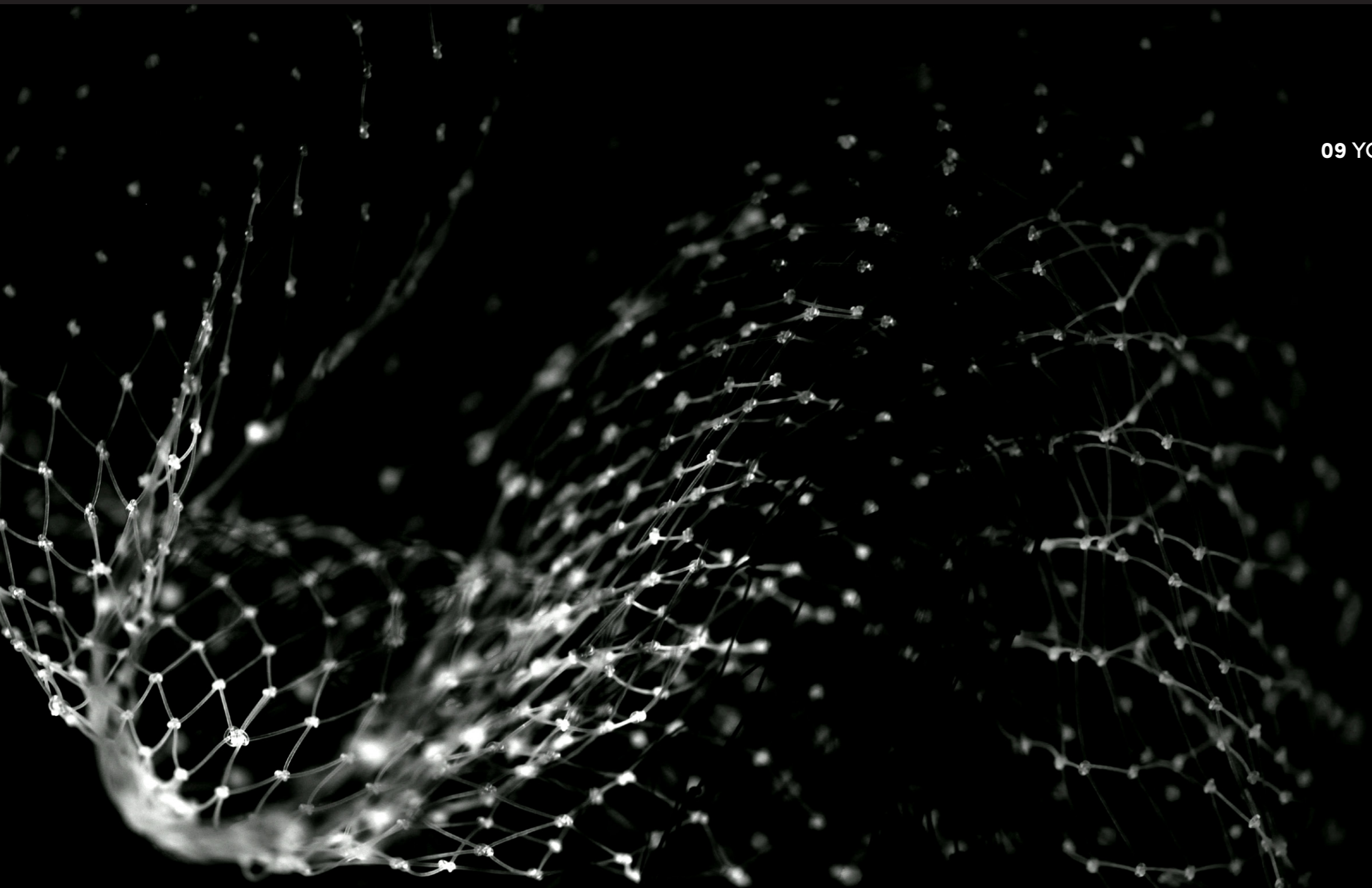


**DOT surfaces®,
the benchmark
in solid surface
transformation.**

After more than 15 years of experience in the engineering and manufacturing of Corian® to the highest quality standards, we began the process of industrializing our processes with the aim of providing a solution to our glo Corian® Design word mark and the Corian® Design logo are trademarks of affiliates of DuPont de Nemours, Inc. used under license by DOT Surfaces. For questions or concerns contact: info@dotsurfaces.com C/ Moroder 3 - 46113 Moncada (Valencia) - Spain - Quality Department (+34 961 860 930). Manufactured and distributed by DOT Surfaces, a licensee of the Corian® Design trademark. DOT Surfaces assumes liability for the manufacture of this product. bal clients' project needs, in 2019. Being a holding company has enabled us to access more market sectors without losing control of the entire life cycle of our products.

With the incorporation of a modified acrylic material, our production capacity and a proactive team committed to innovation, we reached an agreement to work under the Corian® Design license to position ourselves as the benchmark in the transformation of solid surfaces.





09 YONA COLLECTION

YONA COLLECTION

WALL MOUNT

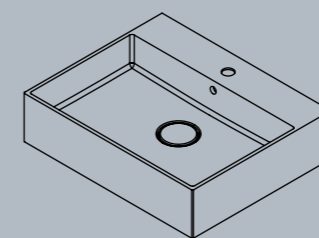
Made of injection-molded Corian®, these rectangular-shaped suspended washbasins have been designed to be placed in confined spaces but, more importantly, to improve accessibility and functionality in bathrooms for groups with reduced mobility.

Mural is a versatile and ergonomic solution that also offers all the properties of Corian®: maximum hygiene, easy maintenance, durability and an attractive and sophisticated design.

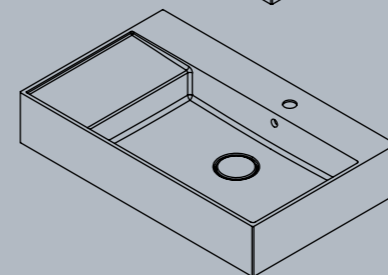




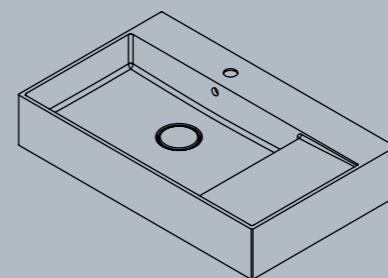
KŌNĀ COLLECTION



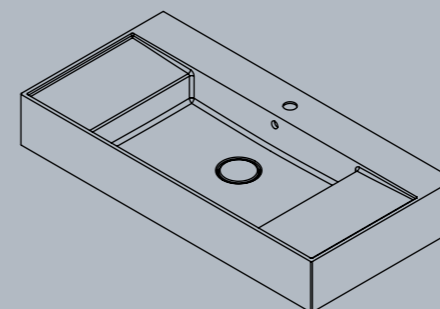
3001
600x490X150mm



3002
800x490X150mm



3003
800x490X150mm



3005
1000x490X150mm

DOT. surfaces

www.dotsurfaces.com

info@dotsurfaces.com
+34 961 860 930

C/ Moroder, 3 Pol. 3
46113 Moncada
Valencia - SPAIN



Corian® Design word mark and the Corian® Design logo are trademarks of affiliates of DuPont de Nemours, Inc. used under license by DOT Surfaces.
For questions or concerns contact: info@dotsurfaces.com C/ Moroder 3 - 46113 Moncada (Valencia) - Spain - Quality Department (+34 961 860 930)
Manufactured and distributed by DOT Surfaces, a licensee of the Corian® Design trademark. DOT Surfaces assumes liability for the manufacture of this product.