

YONA COLLECTION_mod. 3003

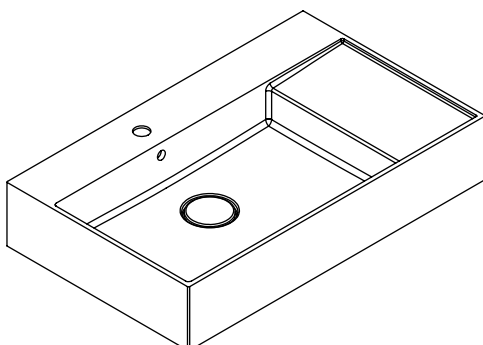
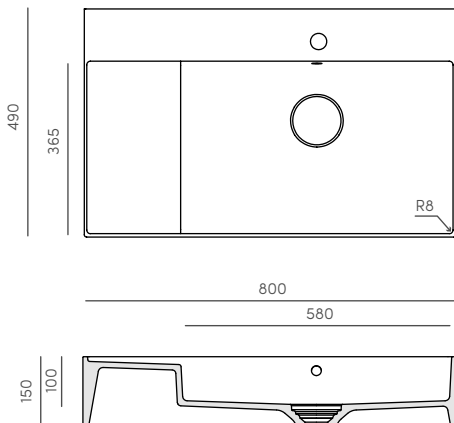
TECHNICAL INFORMATION

DESCRIPTION



- Washbasin
- Faucet integration hole: YES
- Overflow: YES
- Sink plug
- Accessories fixing
- Measurements:
800x490x150mm

TECHNICAL DRAWING



REFERENCE _3003

TECHNICAL SPECIFICATIONS

Measurements
800x490x150 mm

Material composition

This Corian® washbasin is a solid surface product consisting of acrylic-modified polyester resin and ATH filler. It is homogeneous through its thickness, hygienic, durable, repairable, renewable and has excellent sensorial qualities.

Finishes

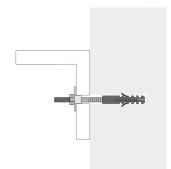
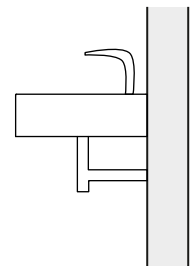
Moon White

Installation

Wall mount / Top mount

Accessories

Drain cover
Valve not included



CORIAN®
DESIGN