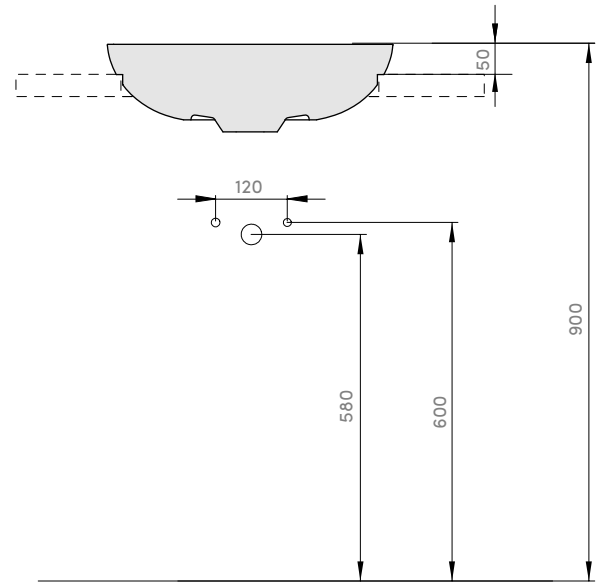
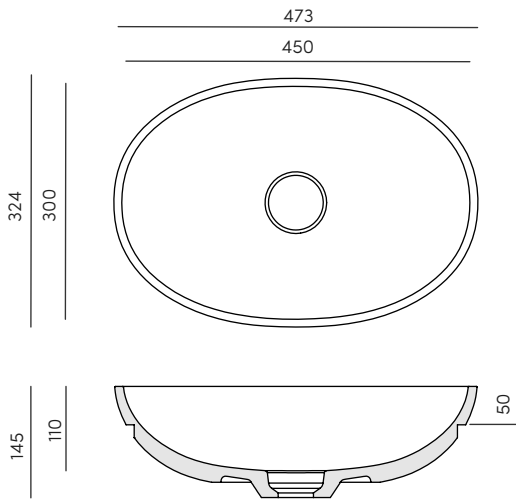


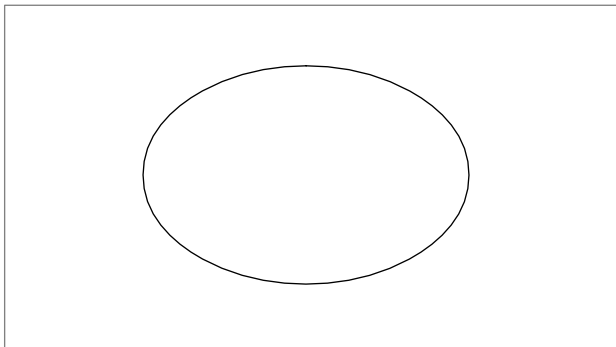
SHIRO COLLECTION_mod. 1342

INSTALLATION INSTRUCTIONS



* DIMENSIONS IN MM
* DRILLING JIG INCLUDED

CUT DRAWING



* Download this file CAD in
https://www.dotsurfaces.com/wp-content/uploads/2021/10/SHIRO-1342_CAD-Files.zip

